

Dehumidifier Recusorb

RL-71R,-71R ICE, -71LR



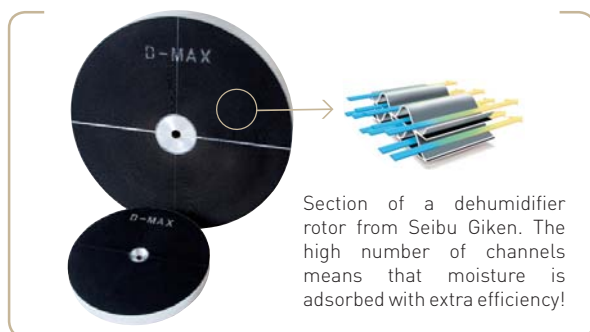
Dehumidifying capacity at 20°C / 60%RH

13 - 17 kg/h

Dry air flow

2500 - 3200 m³/h

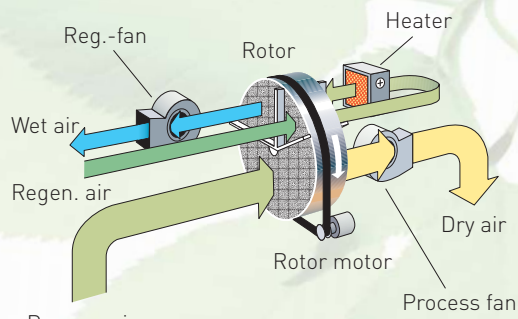
- Excellent performance in all climates
- Built-in heat recovery
- Duct connections
- Stainless steel chassis
- Washable rotor
- Possible built-in options:
 - Frequency inverters
 - M5 and F7 filters
 - Linear control of the heater
 - Condensation insulation



Section of a dehumidifier rotor from Seibu Giken. The high number of channels means that moisture is adsorbed with extra efficiency!

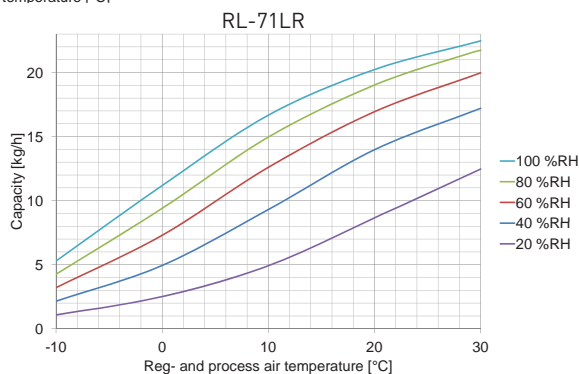
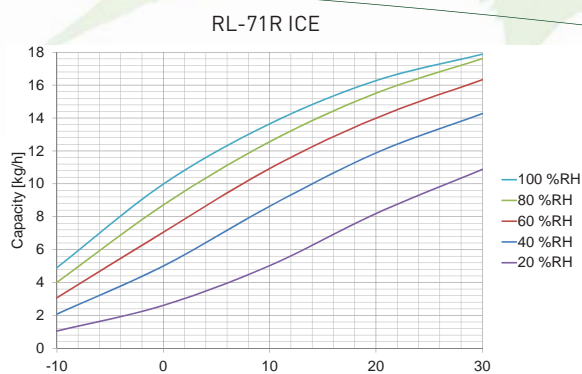
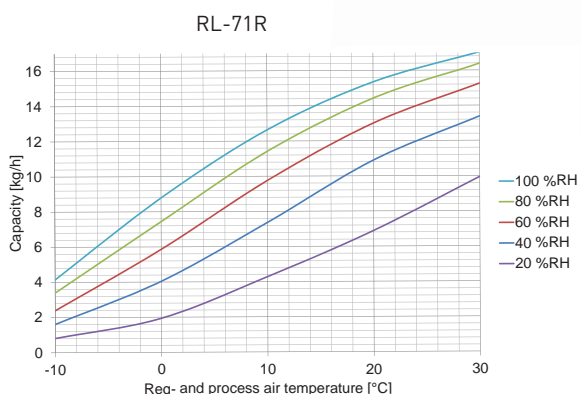
TECHNICAL DATA

| Dehumidifier model | RL - 71R | RL-71R ICE | RL-71LR |
|---|----------|------------|---------|
| Nominal capacity ¹ (kg/h) | 13 | 14 | 17 |
| Dry air flow ² (m ³ /h) | 2500 | 3000 | 3200 |
| Static pressure at disposal (Pa) | 400 | 400 | 200 |
| Wet air flow ² (m ³ /h) | 800 | 800 | 1000 |
| Static pressure at disposal (Pa) | 300 | 300 | 200 |
| Heater power ³ (kW) | 17 | 17 | 24 |
| Maximum electric consumption (kW) | 20,3 | 21,1 | 28,1 |
| Supply fuse 3 x 400V 50Hz (A) | 50 | 50 | 63 |
| Weight (kg) | 190 | 195 | 196 |

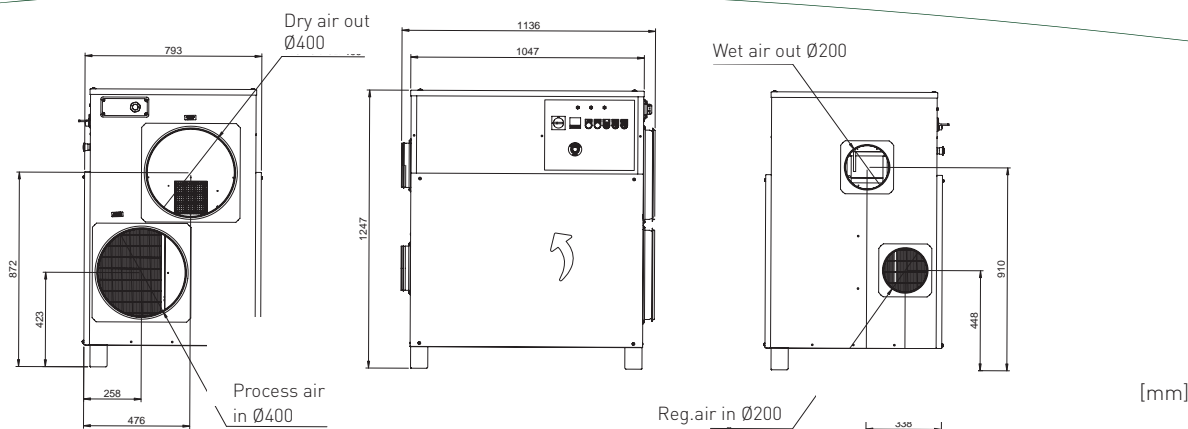


- ¹ Valid for inlet conditions 20°C/ 60%RH. For other inlet conditions the capacity can be calculated by using the correction diagrams shown below.
- ² Volume flow for density 1.20 kg/m³.
- ³ Available with electric heater or steam heater.

CORRECTION DIAGRAM



DIMENSIONS



Subject to change without notice. Download installation drawing at www.dst-sg.com

Seibu Giken DST AB

Avestagatan 33 | SE-163 53 Spånga, Sweden

Tel +46 8 445 77 20 | Fax +46 8 445 77 39

www.dst-sg.com | info@dst-sg.com