

Dehumidifier Recusorb

# RZ -81/101/102 ICE, RLZ-82 ICE



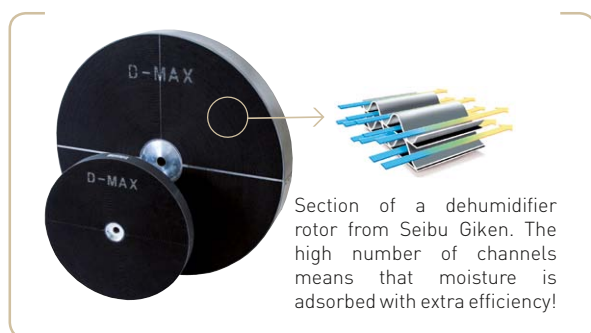
Dehumidifying capacity at 20°C / 60%RH

**19,9 - 54 kg/h**

Dry air flow

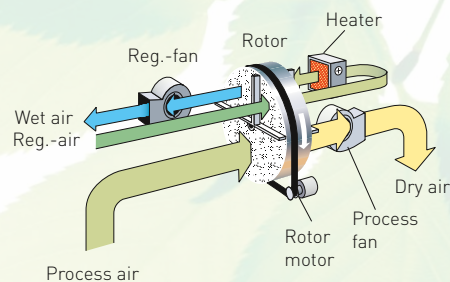
**4500 - 12000 m<sup>3</sup>/h**

- Developed for ice-rinks
- Washable rotor
- No desiccant carry-over
- Built-in heat recovery
- Low dry air temperature
- Long lifetime



TECHNICAL DATA

Dehumidifier model ICE	RZ- 81	RLZ- 82	RZ- 101	RZ- 102
Dry air flow <sup>1</sup> (m <sup>3</sup> /h)	4500	6000	9000	12000
Static pressure at disposal (Pa)	300	300	300	300
Wet air flow <sup>1</sup> (m <sup>3</sup> /h)	1000	1000	1800	2500
Static pressure at disposal (Pa)	200	200	200	200
Heater power <sup>2</sup> (kW)	24	30	40	63
Maximum electric consumption	28	35	47	74
Supply fuse 3x230/400V 50Hz (A)	80 / 50	125/63	125 / 80	250 / 125
Weight (kg)	304	335	390	513



<sup>1</sup> Volume flow for density 1.20 kg/m<sup>3</sup>.

<sup>2</sup> Available with electric heater, steam heater or gas heater.

CORRECTION DIAGRAM

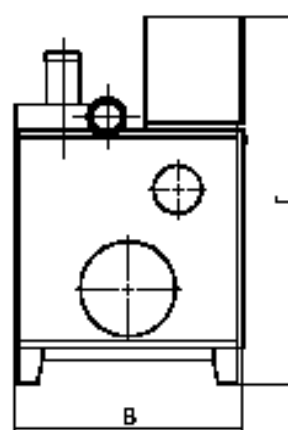
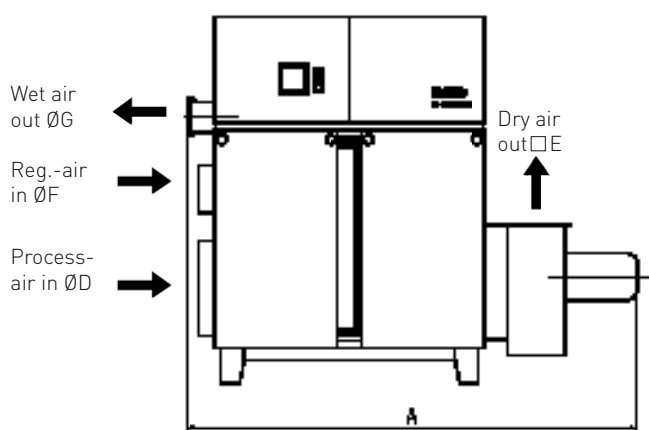
kg/h		10°C			15°C			20°C		
		30% RH	50% RH	70% RH	30% RH	50% RH	70% RH	30%RH	50% RH	70% RH
RZ-81 ICE	*	9,5	14,0	17,0	12,0	16,5	19,0	14,0	18,5	19,9
	**	8,5	13,0	16,0	10,5	15,0	18,5	5,0	17,0	19,0
RLZ-82 ICE	*	14,0	21,0	25,0	17,5	24,0	26,5	21,0	25,5	28,0
	**	13,5	21,0	25,5	16,5	23,5	27,5	19,0	25,0	29,0
RZ-101 ICE	*	16,5	23,5	28,0	21,0	27,5	31,0	24,5	30,0	32,0
	**	14,0	21,5	27,0	17,5	25,0	30,5	20,5	28,0	31,0
RZ-102 ICE	*	27,0	40,5	48,0	35,0	47,0	53,0	42,0	51,0	54,0
	**	24,5	37,0	46,0	31,0	43,5	52,0	36,5	48,0	52,5
* Regeneration and process air at same condition										
** Regeneration air in at 25°C 12 g/kg										

DIMENSIONS

Dimensions for Recusorb ICE  
 RZ- 81 82\* 101 102 [mm]  
 A 1907 2034 2245 2200  
 B 950 950 1340 1250  
 C 1550 1679 1850 1940  
 \* Model RLZ

Dimensions for Recusorb ICE  
 RZ- 81 82\* 101 102 [mm]  
 D 400 400 500 630  
 F 200 200 315 400  
 G 160 \*\* 250 315  
 \*\* 400 x 189 alt. 250

Dimensions for □ E, Recusorb ICE  
 RZ-81: 630 x 236  
 RLZ-82: 640 x 281  
 RZ-101: 786 x 296  
 RZ-102: 880 x 338



Subject to change without notice. Download installation drawing at [www.dst-sg.com](http://www.dst-sg.com)

Seibu Giken DST AB

Avestagatan 33 | SE-163 53 Spånga, Sweden

Tel +46 8 445 77 20 | Fax +46 8 445 77 39

[www.dst-sg.com](http://www.dst-sg.com) | [info@dst-sg.com](mailto:info@dst-sg.com)