

Dehumidifier Recusorb

# RZ -81/101/102 RENTAL



*Dry air flow*

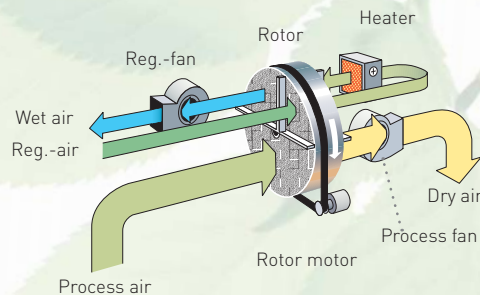
**4500 - 12000 m<sup>3</sup>/h**

- Developed for mobile use
- Washable rotor
- No desiccant carry-over
- Built-in heat recovery
- Low dry air temperature
- Long lifetime



TECHNICAL DATA

Dehumidifier model	RZ- 81	RZ- 101	RZ- 102
Dry air flow <sup>1</sup> (m <sup>3</sup> /h)	4500	9000	12000
Static pressure at disposal (Pa)	300	300	300
Wet air flow <sup>1</sup> (m <sup>3</sup> /h)	1000	1800	2500
Static pressure at disposal (Pa)	200	200	200
Heater power <sup>2</sup> (kW)	24	40	63
Maximum electric consumption (kW)	28	47	74
Supply fuse 3x230/400V 50Hz (A)	80 / 50	125 / 80	250 / 125
Weight (kg)	304	390	513



- <sup>1</sup> Volume flow for density 1.20 kg/m<sup>3</sup>.
- <sup>2</sup> Available with electric heater, steam heater or gas heater.

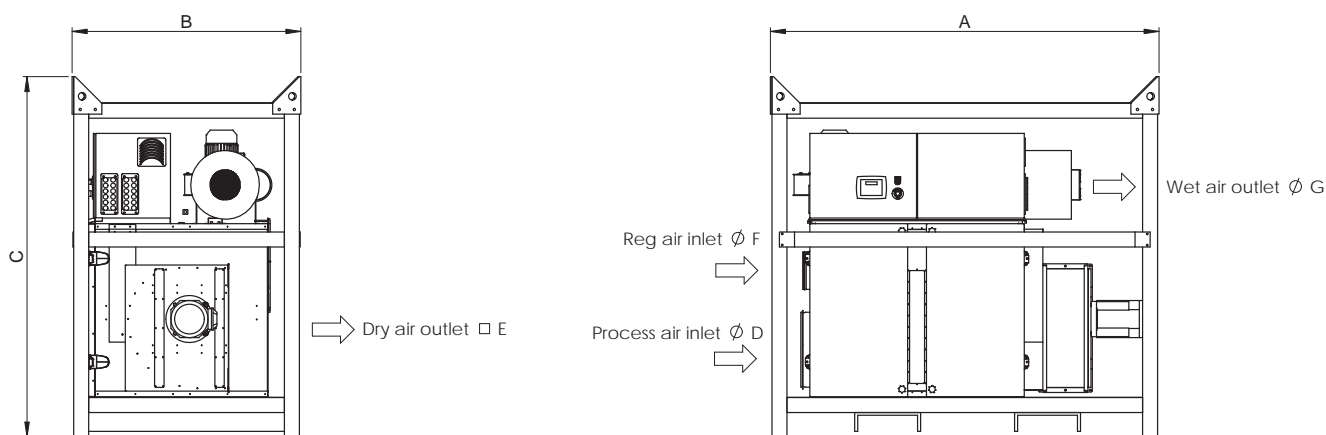
CORRECTION DIAGRAM

kg/h		10°C			15°C			20°C		
		30% RH	50% RH	70% RH	30% RH	50% RH	70% RH	30%RH	50% RH	60% RH
RZ-81 Rental	*	9.5	14.0	17.0	12.0	16.5	19.0	14.5	18.5	19.5
	**	8.5	13.0	16.0	10.5	15.0	18.5	12.5	17.0	19.0
RZ-101 Rental	*	16.5	23.5	28.0	21.0	27.5	31.0	24.5	30.0	32.0
	**	14.0	21.5	27.0	17.5	25.0	30.5	20.5	28.0	31.0
RZ-102 Rental	*	27.0	40.5	48.0	35.0	47.0	53.0	42.0	51.0	54.0
	**	24.5	37.0	46.0	31.0	43.5	52.0	36.5	48.0	52.5
* Regeneration and process air at same condition										
** Regeneration air in at 25°C 12 g/kg										

	RZ-81	RZ-101	RZ-102		RZ-81	RZ-101	RZ-102
A	2066 mm	2550 mm	2550 mm	D	400	500	630
B	1216 mm	1516 mm	1516 mm	F	200	315	400
C	1916 mm	2156 mm	2156 mm	G	160	250	315

Dimensions for □ E  
 RZ-81: 630 x 236  
 RZ-101: 786 x 306  
 RZ-102: 880 x 338

DIMENSIONS



Subject to change without notice. Download installation drawing at [www.dst-sg.com](http://www.dst-sg.com)

Seibu Giken DST AB

Avestagatan 33 | SE-163 53 Spånga, Sweden

Tel +46 8 445 77 20 | Fax +46 8 445 77 39

[www.dst-sg.com](http://www.dst-sg.com) | [info@dst-sg.com](mailto:info@dst-sg.com)