

Dehumidifier Recusorb **RL-60R, -60LR**



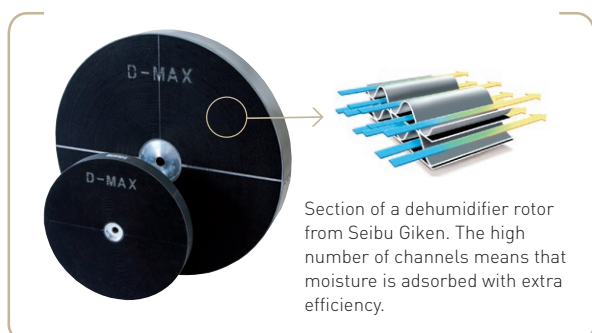
Dehumidifying capacity at 20°C / 60%RH

4 - 5 kg/h

Dry air flow

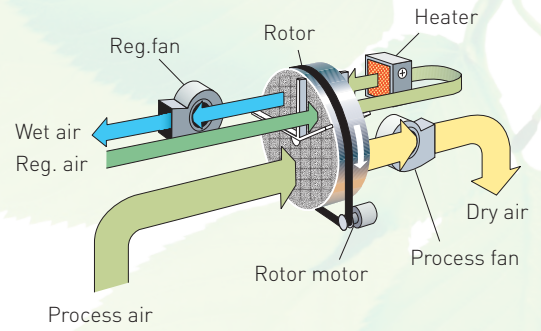
850 - 1 000 m³/h

- ↘ Excellent performance in all climates
- ↘ Duct connection
- ↘ Built-in heat recovery
- ↘ Stainless steel chassis and panels
- ↘ Highly efficient D-MAX rotor
- ↘ Options:
 - Frequency inverter to control airflows
 - Linear capacity control
 - Panel mounted humidity / dew point controller
 - F7 filter
 - Insulated inlets to help prevent condensation



TECHNICAL DATA

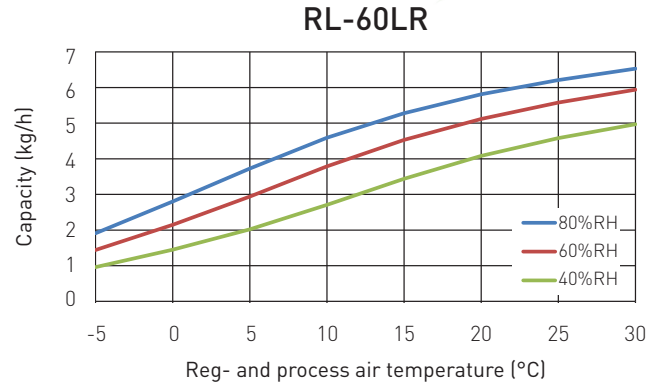
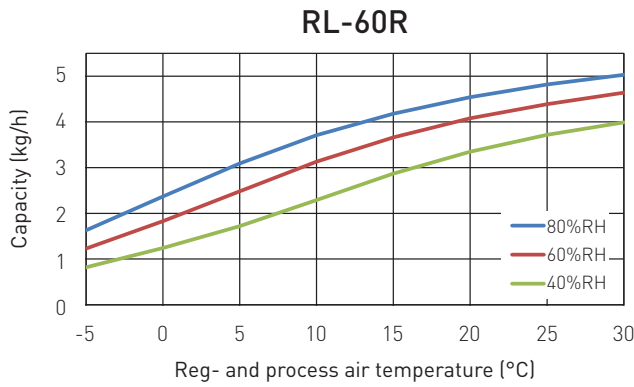
| Dehumidifier model | RL-60R | RL-60LR |
|---|--------|---------|
| Nominal capacity ¹ (kg/h) | 4,0 | 5,0 |
| Dry air flow ² (m ³ /h) | 850 | 1 000 |
| Static pressure at disposal (Pa) | 300 | 100 |
| Wet air flow ² (m ³ /h) | 180 | 250 |
| Static pressure at disposal (Pa) | 250 | 200 |
| Heater power (kW) | 5,4 | 7,5 |
| Total power (kW) | 6,0 | 8,3 |
| Supply fuse 3 x 400V 50Hz (A) | 16 | 16 |
| Weight (kg) | 68 | 68 |



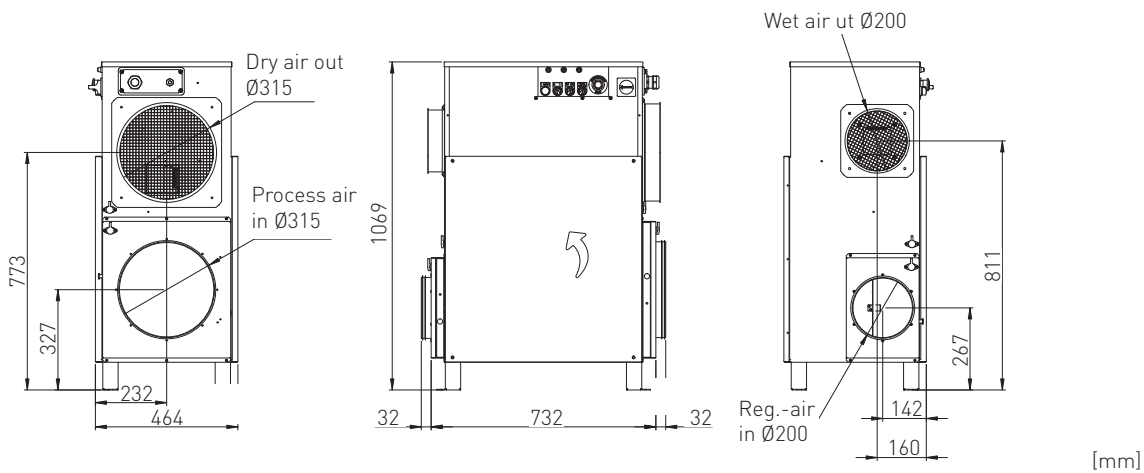
¹ Valid for inlet conditions 20°C/60%RH. For other inlet conditions the capacity can be calculated by using the correction diagrams shown below.

² Volume flow for density 1,20 kg/m³.

CORRECTION DIAGRAM



DIMENSIONS



Subject to change without notice. Download installation drawing at www.dst-sg.com

Seibu Giken DST AB

Avestagatan 33 | 163 53 Spånga, Sweden

Tel +46 8 445 77 20 | Fax +46 8 445 77 39

www.dst-sg.com | info@dst-sg.com