

# Dehumidifier Recusorb RL-71, -71 ICE, -71L



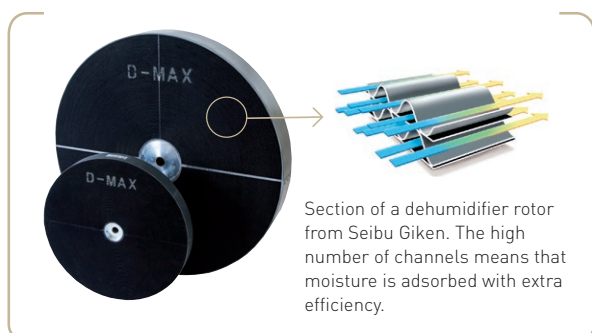
Dehumidifying capacity at 20°C / 60%RH

**13 - 17 kg/h**

Dry air flow

**2 500 - 3 200 m<sup>3</sup>/h**

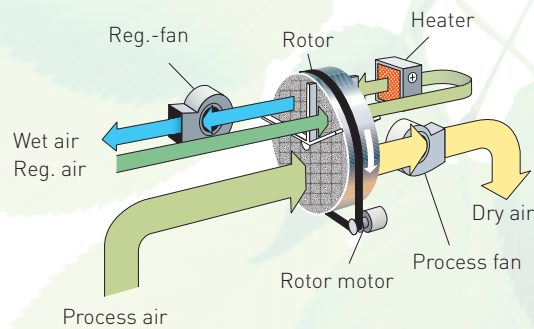
- ✓ Excellent performance in all climates
- ✓ Duct connections
- ✓ Built-in heat recovery
- ✓ Stainless steel chassis
- ✓ F7 filter
- ✓ Washable rotor
- ✓ Options:
  - Frequency inverter to control airflows
  - Linear capacity control
  - Insulated inlets
  - Panel mounted humidity control



Section of a dehumidifier rotor from Seibu Giken. The high number of channels means that moisture is adsorbed with extra efficiency.

TECHNICAL DATA

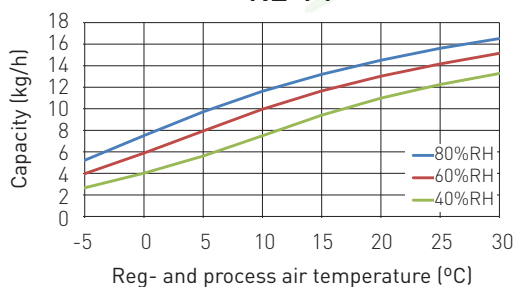
Dehumidifier model	RL-71	RL-71 ICE	RL-71L
Nominal capacity <sup>1</sup> (kg/h)	13	14	17
Dry air flow <sup>2</sup> (m <sup>3</sup> /h)	2 500	3 000	3 200
Static pressure at disposal (Pa)	400	400	200
Wet air flow <sup>2</sup> (m <sup>3</sup> /h)	800	800	1000
Static pressure at disposal (Pa)	300	300	200
Heater power <sup>3</sup> (kW)	17	17	24
Maximum electric consumption (kW)	20,3	21,1	28,1
Supply fuse 3 x 400V 50Hz (A)	40	40	50
Weight (kg)	190	195	196



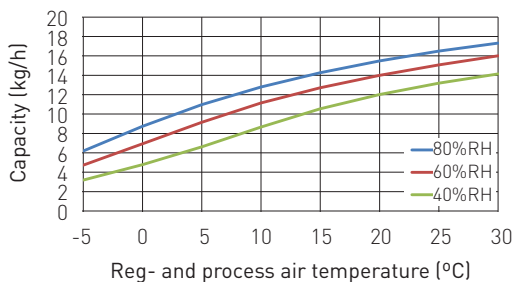
- <sup>1</sup> Valid for inlet conditions 20°C/60%RH. For other inlet conditions the capacity can be calculated by using the correction diagrams shown below.
- <sup>2</sup> Volume flow for density 1,20 kg/m<sup>3</sup>.
- <sup>3</sup> Available with electric heater or steam heater.

CORRECTION DIAGRAM

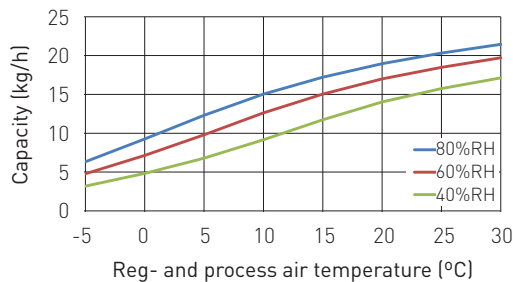
RL-71



RL-71 ICE

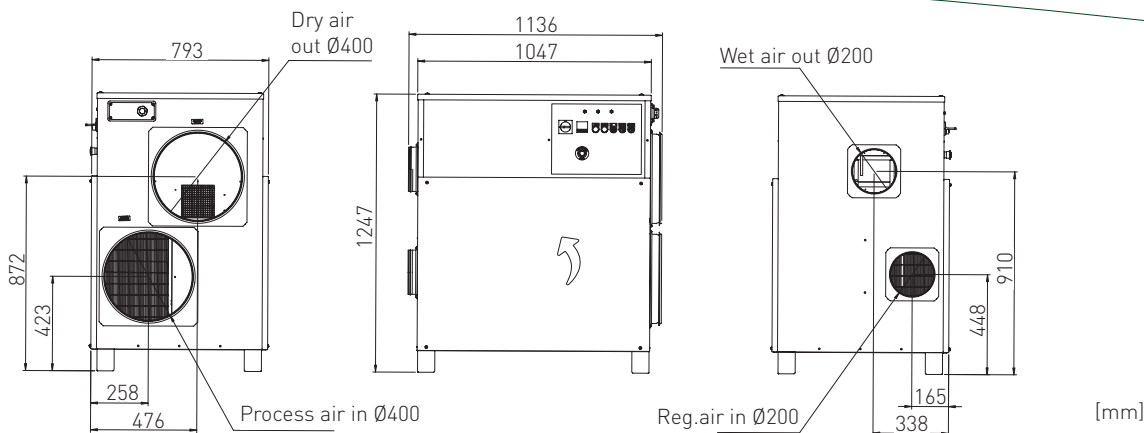


RL-71L



Following the sorption principle, the dry air will follow the enthalpy line plus 3-5°C resulting in around 15°C higher dry air temperature compared to process inlet temperature. For more information, contact your DST representative.

DIMENSIONS



Subject to change without notice. Download installation drawing at [www.dst-sg.com](http://www.dst-sg.com)

Seibu Giken DST AB

Avestagatan 33 | 163 53 Spånga, Sweden

Tel +46 8 445 77 20 | Fax +46 8 445 77 39

[www.dst-sg.com](http://www.dst-sg.com) | [info@dst-sg.com](mailto:info@dst-sg.com)